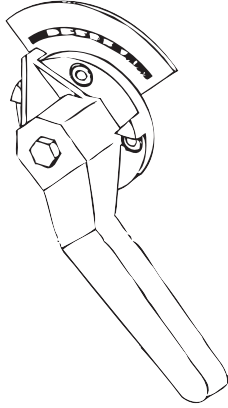


Instructions for installation

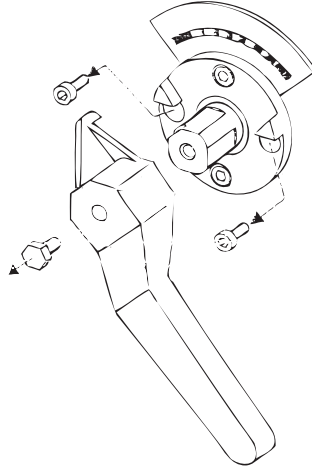
Mixing Valve Motor for 2-1/2", 3", & 4" Flange Mixing Valves

Mounting Instructions

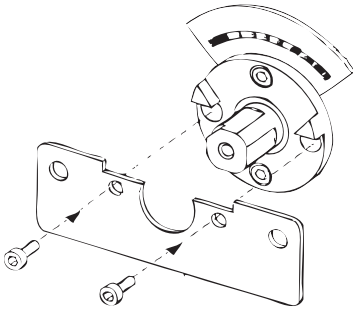
Step 1



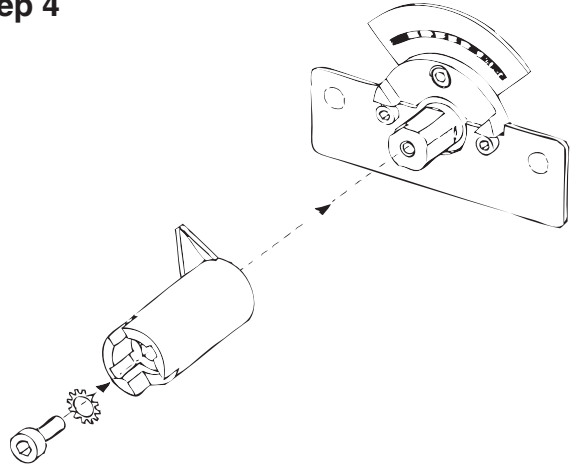
Step 2



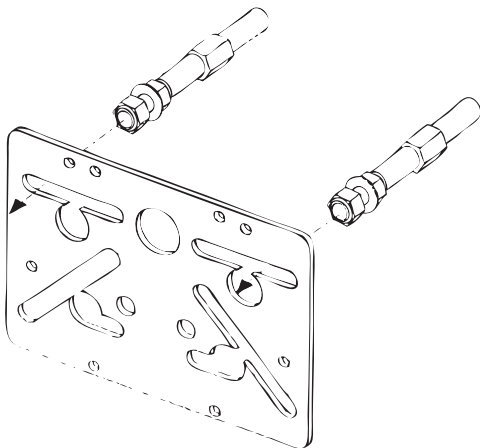
Step 3



Step 4



Step 5



Step 6

